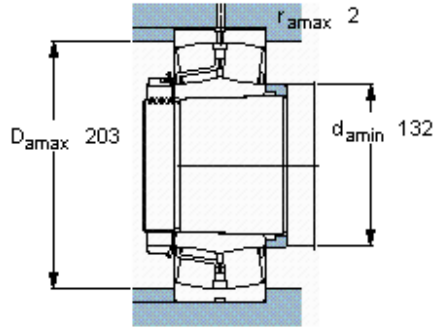
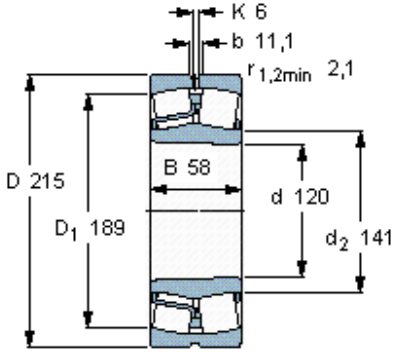


Spherical roller bearings, cylindrical and tapered bore

Principal dimensions			Basic load ratings		Speed ratings		Designation
d	D	B	dynamic C	static C0	Reference speed	Limiting speed	
mm			kN		r/min		<b>* SKF Explorer bearing</b>
<b>120</b>	215	58	652	765	2800	3800	- 22224 EK *



Tapered bore, taper  
1: 12

- Calculation factors**
- e 0,26
  - $Y_1$  2,6
  - $Y_2$  3,9
  - $Y_0$  2,5